

FTC

FTC | **F**IBER **T**ECHNOLOGY **C**ORPORATION

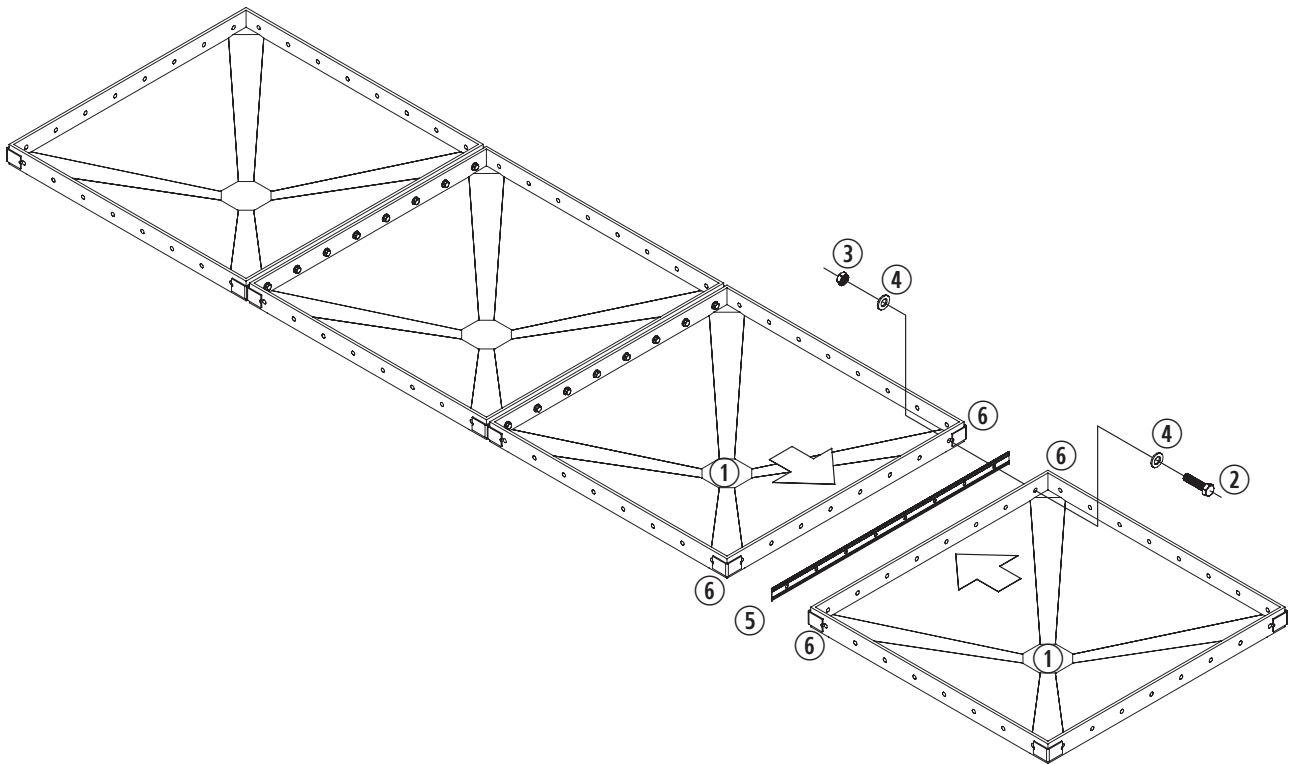


4 Meter High Internally Reinforced
Panel Type Water Tank without Partition

Installation Manual

FIRST EDITION

Section 2. Bottom Panels Installation



- ① Bottom Panel - KB40 BX
- ② M12 x 45 bolt
- ③ M12 Nut
- ④ M12 Washer**
- ⑤ Sealant S
- ⑥ Patch B

☑ ** Note that for the 1st and 8th holes of the bottom panels use Washer'T', the rest are of Big washers